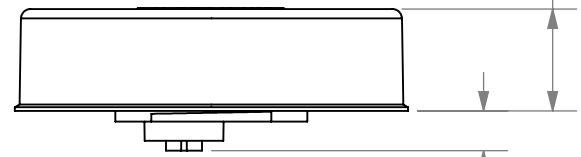
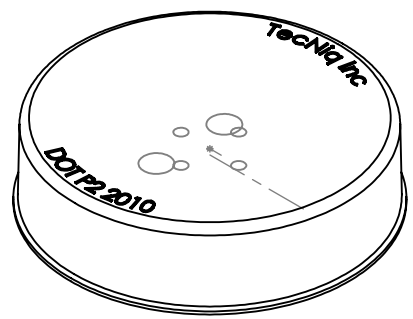
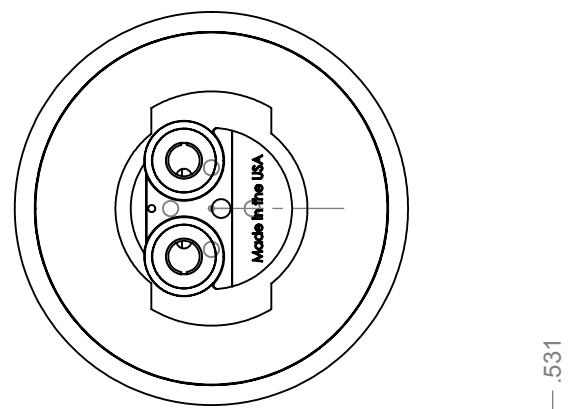
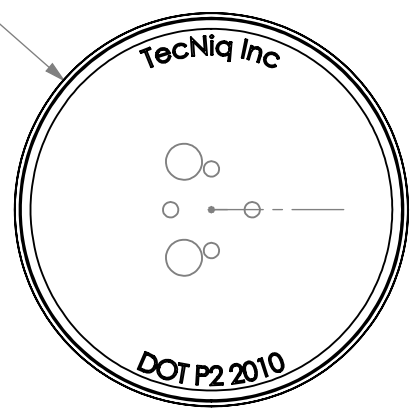


8 7 6 5 4 3 2 1

D
C
B
A



Ø 2.047




.531

.207

2" ROUND SIDEMARKER
 SINGLE SYLVANIA OSRAM LED
 WATERPROOF DESIGN
 POLYCARBONATE LENS
 STANDARD GROMMET
 LENS IS FLUSH MOUNT WITH SURFACE
 0.06 AMPS

CONFIDENTIAL

THE INFORMATION CONTAINED IN THIS DRAWING IS THE SOLE PROPERTY OF Dragonfish Technologies LLC. ANY REPRODUCTION IN PART OR WHOLE WITHOUT THE WRITTEN PERMISSION OF Dragonfish Technologies LLC IS PROHIBITED.

ITEM NO.	PART OR IDENTIFYING NO.	NOMENCLATURE OR DESCRIPTION	MATERIAL SPECIFICATION	QTY REQD
PARTS LIST				
UNLESS OTHERWISE SPECIFIED DIMENSIONS ARE IN INCHES TOLERANCES ARE:		CAD GENERATED DRAWING BY: DRAGONFISH TECHNOLOGIES LLC		
DECIMALS .X ±0.020 .XX ±0.010 .XXX ±0.003		 S30-RR00-1 S30-AA00-1 SINGLE LED SIDEMARKERS		
ANGLES X° ±1.0° X.X° ±0.5° X.XX° ±0.1°				
MATERIAL		APPROVALS	DATE	
FINISH --		DRAWN JC	3/1/2013	
DO NOT SCALE DRAWING		CHECKED		
		RESP ENG		
		MFG ENG		
		QUAL ENG		
		SIZE A	DWG. NO.	REV. A
		SCALE 1	CAD FILE:	SHEET 1 OF 1

8 7 6 5 4 3 2 1