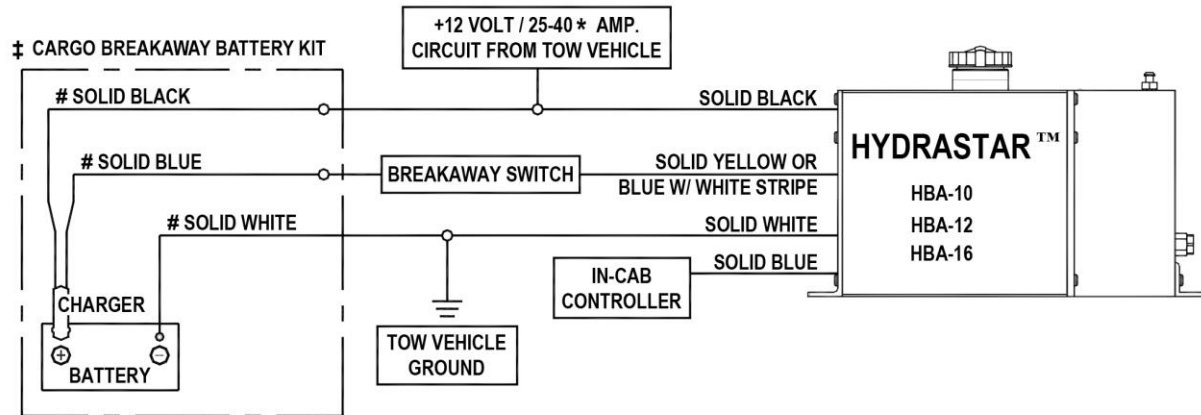


ELECTRICAL SCHEMATIC



* = COLD TEMPERATURE (BELOW 0° F) APPLICATIONS REQUIRE 40 AMP.

‡ = THIS ELECTRICAL SCHEMATIC REPRESENTS THE USE OF A CARLISLE BREAKAWAY BATTERY KIT. PLEASE NOTE THAT IF YOU ARE USING A DIFFERENT BREAKAWAY BATTERY KIT, THERE MAY BE A DIFFERENT NUMBER OF WIRES AND THE CHARGING +12VOLT, BREAKAWAY, AND GROUND CIRCUITS MAY BE IDENTIFIED BY COLORS OTHER THAN THOSE DEPICTED IN THIS SCHEMATIC. PLEASE CONSULT THE MANUFACTURER'S INSTRUCTIONS TO IDENTIFY THE AFOREMENTIONED CIRCUITS.

= CIRCUITS FOR THE CARLISLE BREAKAWAY BATTERY KITS WILL BE IDENTIFIED AS FOLLOWS:

CHARGING +12 VOLT CIRCUIT - BLACK
 BREAKAWAY CIRCUIT - BLUE
 GROUND CIRCUIT - WHITE